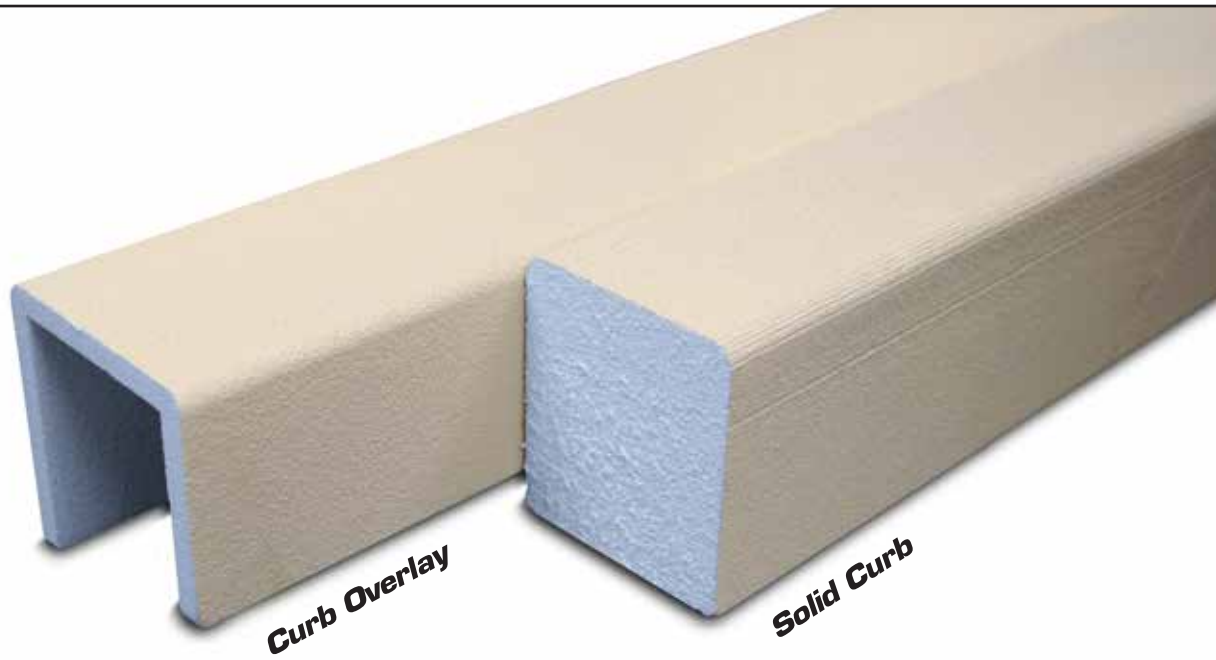


bronte™ Curbs

Preformed solid curbs
& curb overlays

bronte™ Curbs are lightweight, durable and ready-to-tile.



- Installs in minutes
- Waterproof & ready-to-tile
- Durable and lightweight
- Easily cut to size
- Standard lengths are 3', 4', and 5'
- Custom sizes are available in quantity
- Curb overlay fits standard 2" x 4" construction
- Solid curb mounts directly to substrate

Part of the bronte™ Watertight Shower System



Curb Overlay Installation Instructions

1.0 Product & Materials

- 1.1 bronte™ Curb Overlays: are made from high density, expanded polystyrene (EPS) and coated with an acrylic polymer finish. bronte™ Curb Overlays are waterproof and ready-to-tile. They are lightweight, durable and are not a food source for fungus and mold.
- 1.2 Other Tools & Materials Needed: Utility knife, caulk gun, 100% silicone sealant, and large headed fasteners.

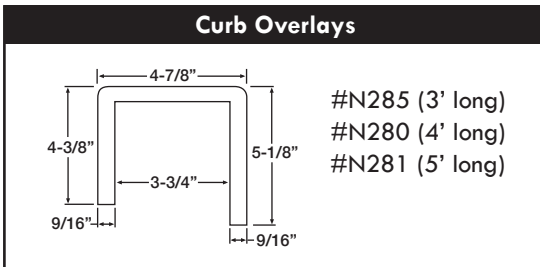
2.0 Preparatory Work

- 2.1 Substrate should be level and flat prior to commencing work. Read all instructions.

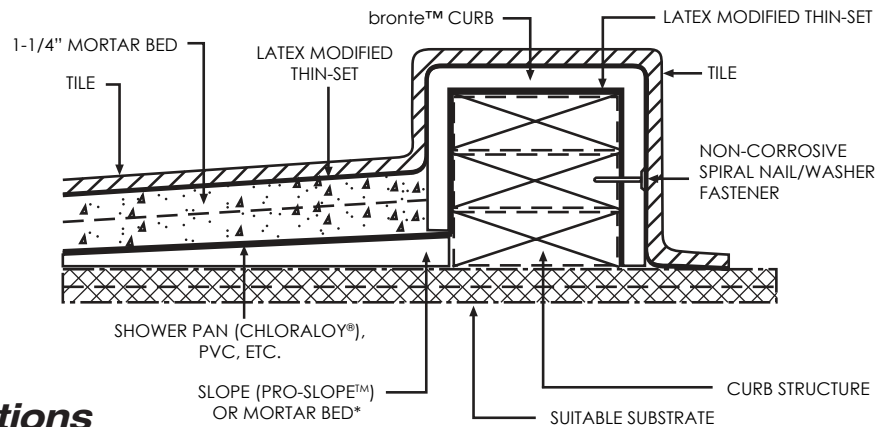
3.0 Installing bronte™ Curb Overlay

NOTE: bronte™ Curb Overlay should be installed prior to installation of full mortar bed and after waterproof membrane.

- 3.1 Cut Curb Overlay to length.
- 3.2 Coat inside of Curb Overlay with thin-set mortar and place over shower pan liner.
- 3.3 bronte™ Curb Overlay should rest firmly on curb structure. Thin-set coating should provide leveling and support for the bronte™ Curb Overlay.
- 3.4 After bronte™ Curb Overlay is leveled, secure with large headed fastener on outside apron.
- 3.5 Caulk with 100% silicone sealant where the Curb Overlay meets the wall/jamb.



NOTE: Actual dimensions may vary +/- 1/8".



Solid Curb Installation Instructions

1.0 Product & Materials

- 1.1 bronte™ Solid Curbs are made from high density, expanded polystyrene (EPS) and coated with an acrylic polymer finish. They are lightweight, durable and are not a food source for fungus and mold.
- 1.2 Other Tools & Materials Needed: Fine tooth saw, latex modified thin-set mortar and 100% silicone sealant.

2.0 Preparatory Work

- 2.1 Substrate should be level and flat prior to commencing work. Read all instructions.

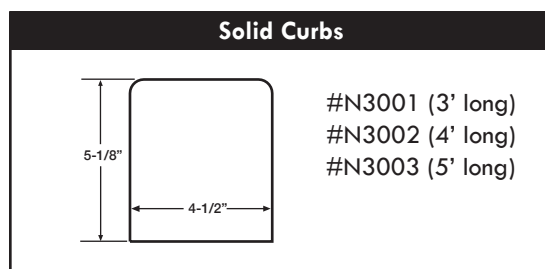
3.0 Installing bronte™ Solid Curb

NOTE: bronte™ Solid Curb should be installed prior to installation of shower pan.

- 3.1 Cut bronte™ Solid Curb to desired length and dry fit.
 - 3.2 Apply latex modified thin-set mortar to floor.
 - 3.3 Apply latex modified thin-set mortar to bottom and both ends of curb.
 - 3.4 Embed Curb into thin-set. **NOTE:** Weight (i.e. boxes of tile) can be applied to embed Curb into thin-set.
 - 3.5 Carefully remove excess thin-set.
 - 3.6 Allow thin-set to cure.
 - 3.7 Caulk with 100% silicone sealant where Curb meets wall/jamb.
 - 3.8 Install shower pan per manufactures instructions, applicable standards and TCNA guidelines.
 - 3.9 Extend waterproofing membrane (i.e. NobleSeal® TS) up and over Curb.
- NOTE:** NobleSeal membranes may be bonded to Curb using latex modified thin-set.

TILE INSTALLATION: Tile using latex modified thin-set per industry guidelines.

NOTES: For any situation not specifically covered, contact our Technical Department before proceeding. Follow TCNA Guidelines.



NOTE: Actual dimensions may vary +/- 1/8".

