

Project Name: _____

Project Number: _____

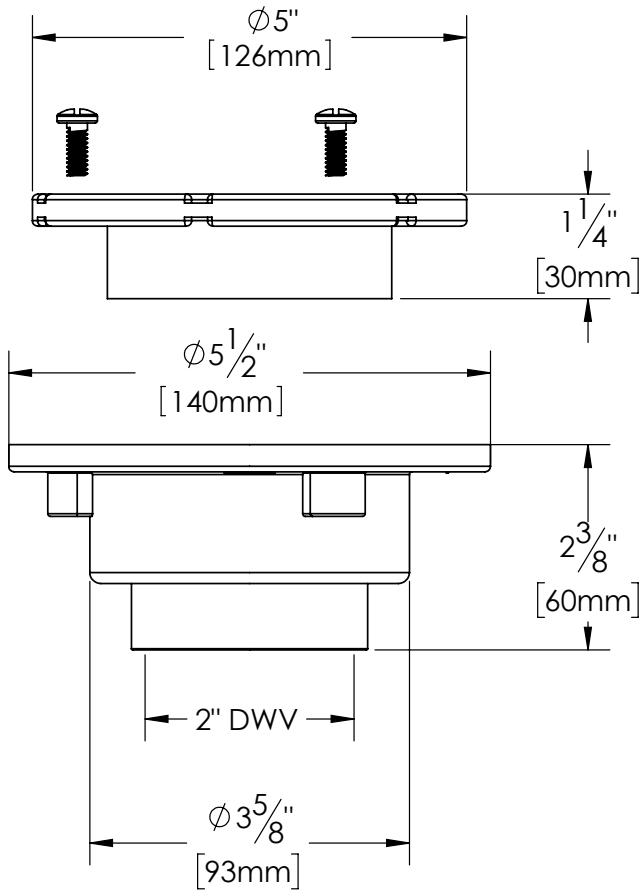
Fixture #

Specification:

Straight 2" PVC Drain Body* for Tile Bases

PVC construction with 2" DWV Hub connection. Features a reversible PVC Clamping Collar which allows for increased adjustability (2-1/4" max) and 3 Brass Screws.

Certification



*Requires Trim Top - Sold Separately

Engineer's Approval

bronte™ Collection

2200 Speers Road, Unit C. Oakville, ON. Canada. L6L 2X8.
T. 905.827.0320 or toll free 1.877.314.6040 F. 905.827.6375 or toll free 1.877.827.6040.

All rights reserved. bronte™ reserves the right to change product specifications and material or discontinue models without notice.

www.brontecollection.ca (Canada) www.brontecollection.com (USA)