

Project Name: \_\_\_\_\_

Project Number: \_\_\_\_\_

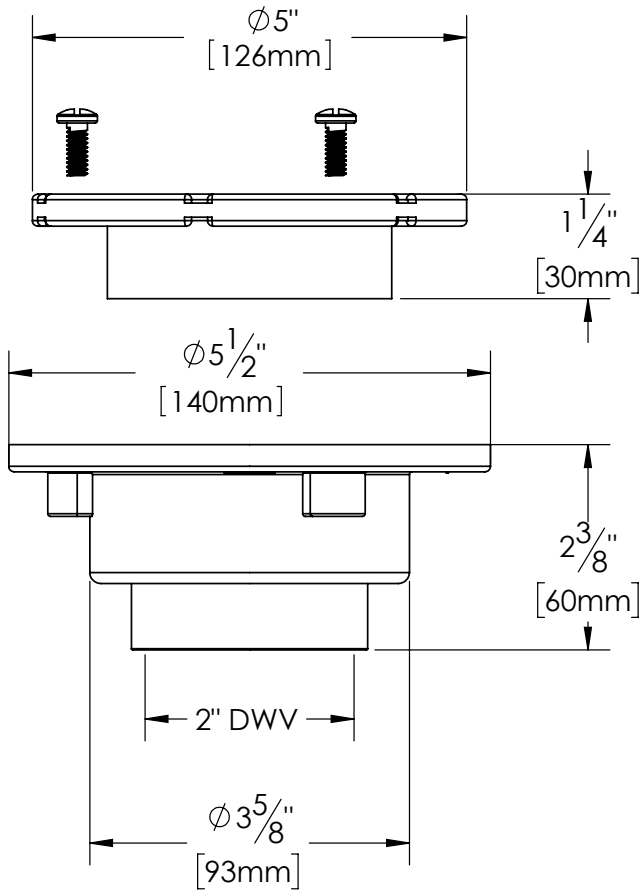
Fixture #

## Specification:

### Straight 2" ABS Drain Body\* for Tile Bases

ABS construction with 2" ABS/DWV Hub connection. Features a reversible ABS Clamping Collar which allows for increased adjustability (2-1/4" max) and 3 Brass Screws.

Certification



\*Requires Trim Top - Sold Separately

Engineer's Approval

**bronte™ Collection**

2200 Speers Road, Unit C. Oakville, ON. Canada. L6L 2X8.  
T. 905.827.0320 or toll free 1.877.314.6040 F. 905.827.6375 or toll free 1.877.827.6040.

All rights reserved. bronte™ reserves the right to change product specifications and material or discontinue models without notice.

**www.brontecollection.ca (Canada) www.brontecollection.com (USA)**