

Project Name: \_\_\_\_\_

Project Number: \_\_\_\_\_

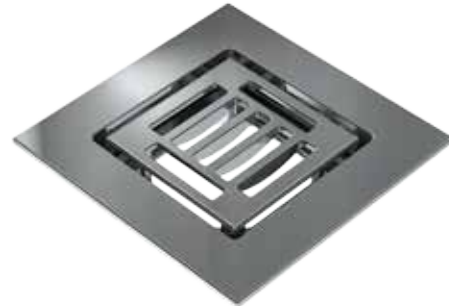
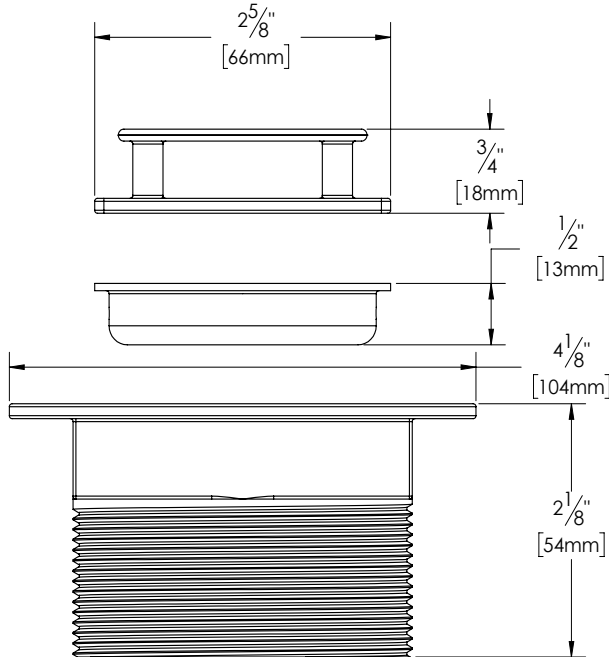
Fixture #

## Specification:

### Symphony Square Drain Trim Top\*

Solid Brass construction. Features a removable Grate for easy cleaning. Includes a Stainless Steel Haircatcher.

Certification



TOP VIEW



HAIRCATCHER (INCLUDED)

Part # Configurator

# BCS.250.



FINISH SUFFIX  
(2 CHAR.)

Finish Suffix



11  
Chrome  
Plated



22  
Brushed  
Nickel



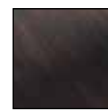
33  
Matte  
Black



44  
White



55  
Polished  
Nickel



66  
Venetian  
Bronze

\*Requires Body - Sold Separately

Engineer's Approval

**bronte™ Collection**

2200 Speers Road, Unit C. Oakville, ON. Canada. L6L 2X8.  
T. 905.827.0320 or toll free 1.877.314.6040 F. 905.827.6375 or toll free 1.877.827.6040.

All rights reserved. bronte™ reserves the right to change product specifications and material or discontinue models without notice.

[www.brontecollection.ca](http://www.brontecollection.ca)