

Project Name: _____

Project Number: _____

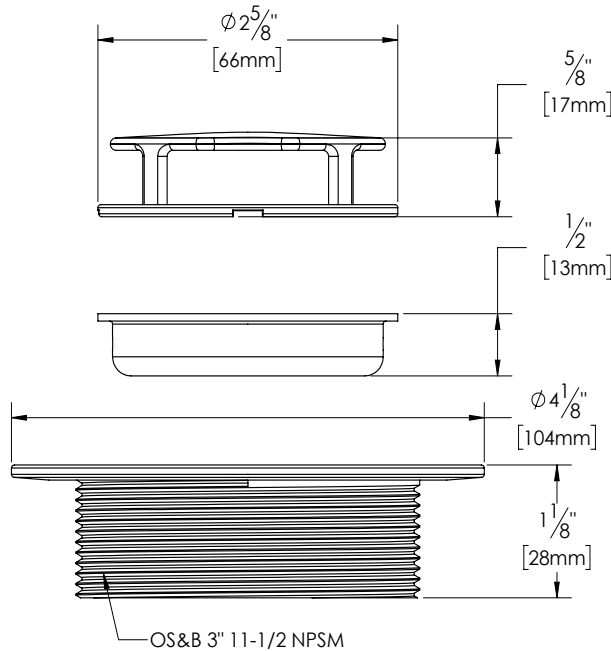
Fixture #

Specification:

Symphony Round Drain Trim Top*

Solid Brass construction. Features a removable Slotted Grate for easy cleaning. Includes a Stainless Steel Haircatcher.

Certification



TOP VIEW



HAIRCATCHER (INCLUDED)

Part # Configurator

BCS.150.

FINISH SUFFIX
(2 CHAR.)

Finish Suffix



11
Chrome
Plated



22
Brushed
Nickel



33
Matte
Black



44
White



55
Polished
Nickel



66
Venetian
Bronze

*Requires Body - Sold Separately

Engineer's Approval

bronte™ Collection

2200 Speers Road, Unit C. Oakville, ON. Canada. L6L 2X8.
T. 905.827.0320 or toll free 1.877.314.6040 F. 905.827.6375 or toll free 1.877.827.6040.

All rights reserved. bronte™ reserves the right to change product specifications and material or discontinue models without notice.

www.brontecollection.ca