



# We are re-inventing the way people access water outdoors.

Our mission is to design and manufacture the world's most innovative, efficient, and user-friendly water valves.

Using high-tech materials, quality manufacturing methods, and a user-centric design approach, we're making products that are easy to use, and built to last.



HHP-SERIES  
**House Hydrant V1+**

- Stainless steel non-freeze wall hydrant
- Includes vacuum breaker hose connector
- CSA and ASSE approved



CN-VB1  
**Universal Hydrant**  
Compact version of our House Hydrant V1+ that can be installed almost anywhere.



CN-VB1  
**Vacuum Breaker Connector**  
Connects to any Aquor outlet. Code-approved vacuum breaker. Built-in ball valve for flow control.



CN-S1  
**Standard Hose Connector**  
Attaches to any garden hose. Included with each Universal Hydrant kit.



INL-90  
**90° Elbow Inlet**  
Converts standard hydrant inlet to an elbow. Positionable in any direction.



GH-25, GH-50  
**Ultralight Garden Hose**  
Food-grade, extremely lightweight yet durable garden hose.



MBF1-V1  
**Pre-Flashed Mounting Block**  
Paintable fiber-cement block with a built-in flashing for fast and easy weatherproofing.



HHP-SERIES (BLK)  
**V1+ Black Edition**  
Our House Hydrant V1+ finished in a beautiful matte black colorway.



MC-V1, MC-V1-BLK  
**Stainless Steel Hydrant Covers**  
316L stainless steel hydrant covers available in natural brushed and matte black finishes.

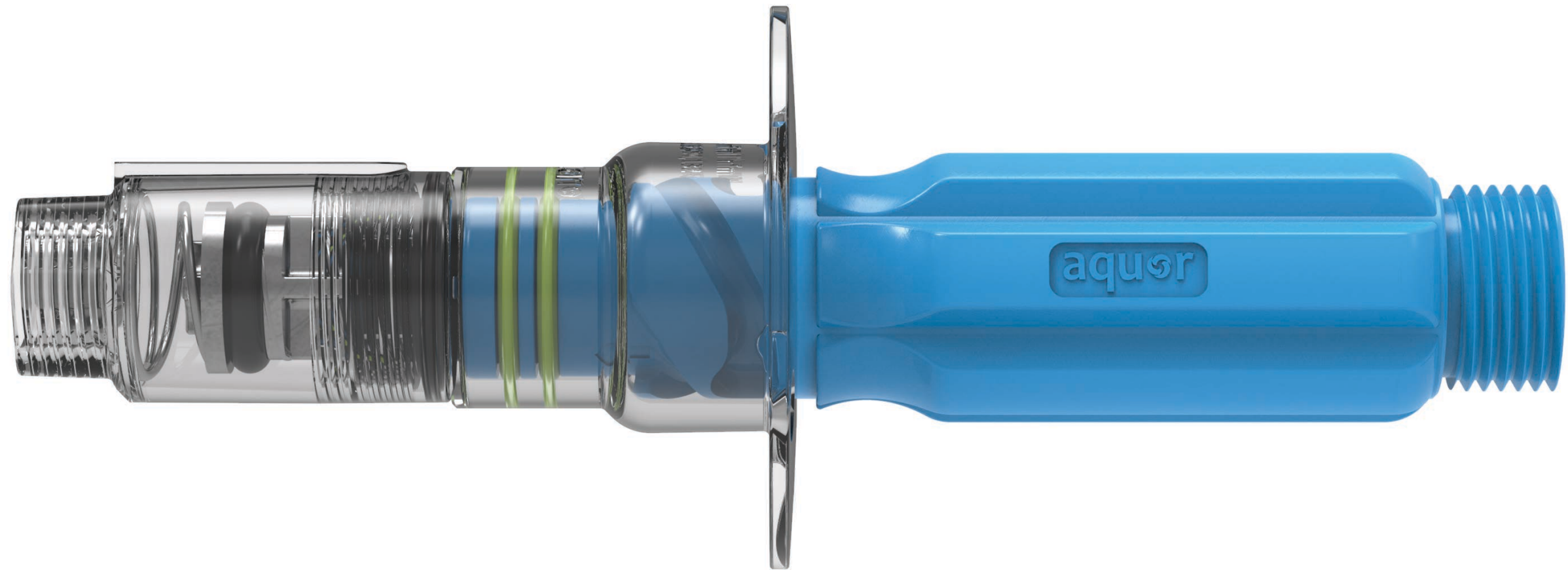


# The next generation of water valves.

Typical brass plumbing fixtures are designed to meet low cost requirements and exhibit poor quality and construction.

With the House Hydrant, every aspect and material was examined to create the most robust valve design possible.

The unique valve design uses water pressure to seal, for a reliable and ultra-low-maintenance outlet.





Finally, an  
outdoor faucet  
you'll actually  
enjoy using.





INSTANT HOSE CONNECTIONS

# Connect garden hoses in less than 1 second.

All it takes is a simple twist to engage the Aquor House Hydrant. Three grooves guide the connector into the right position, so it can be inserted blindly in any direction.

Forget the hassle of scraping your knees and knuckles trying to thread on garden hoses - with Aquor, you can plug into your water outlet instantly. Water turns on automatically when you connect.





AUTOMATIC WATER ON/OFF

# Unplug and walk away.

Water flow stops instantly when you disconnect. Unlike brass spigots, the House Hydrant does not use a traditional screw-and-washer mechanism to seal.

Aquor's unique valve design uses water pressure to close. The result is a stronger, more reliable seal, even at higher water pressures.





SIMPLE SECURITY

# Protect your home and resources.

No loose keys, bulky padlocks, or expensive commercial boxes.

Simply store the Aquor connector with your garden hose, and you can control access to your water. The outlet provides tamper resistance and prevents anyone from leaving the water running.







SUB-ZERO FREEZE PROTECTION

**7x better than brass.**

As soon as you disconnect from the House Hydrant, your outlet automatically seals, drains, and winterizes. Never worry about uncovered hose bibs freezing in cold weather.

Stainless steel provides significantly better insulation than typical brass alloy 'frost-free' sillcocks. We've tested to -30° F, but performance depends on your home's wall insulation.



BUILT TO LAST

# Sun & Snow & Sleet & Rain.

Engineered and tested to withstand any weather conditions, from blazing sunlight to freezing cold.

Our chosen materials are commonly used in the marine, automotive, and aerospace industries for their performance and durability.





RECOGNIZED BY LEADING BUILDERS

# Award-winning design.

Proud 2x winner of the Best Outdoor Living Product Award, presented at the NAHB International Builder's Show.





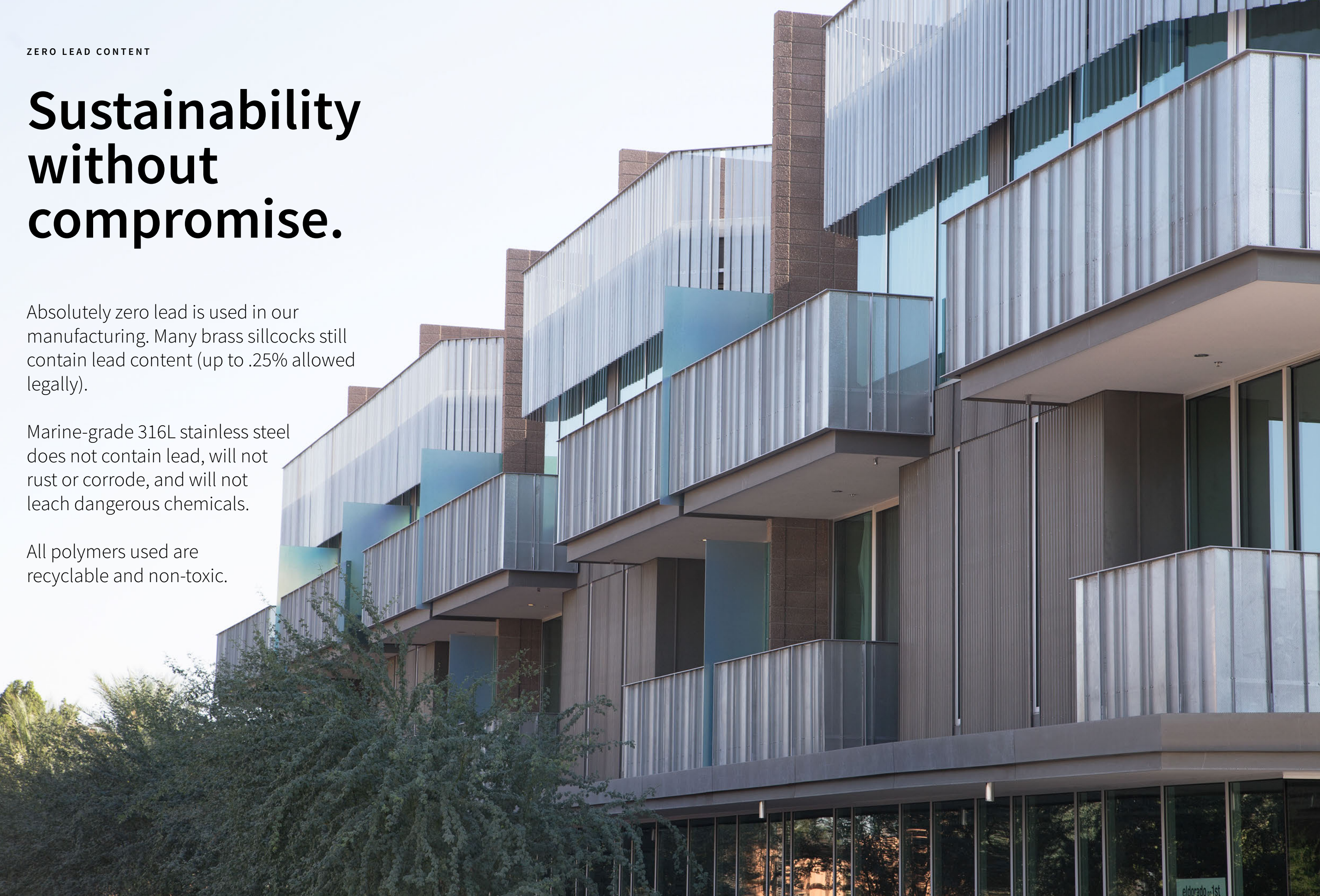
ZERO LEAD CONTENT

# Sustainability without compromise.

Absolutely zero lead is used in our manufacturing. Many brass sillcocks still contain lead content (up to .25% allowed legally).

Marine-grade 316L stainless steel does not contain lead, will not rust or corrode, and will not leach dangerous chemicals.

All polymers used are recyclable and non-toxic.







PROFESSIONAL GRADE

# Heavy-duty hose connectors.

Attach to your hose once, and never deal with threads again.

Aquor connectors are made with rugged Delrin® acetal resin and Viton® O-rings for maximum durability and wear resistance. Tested to withstand 150,000+ cycles, and 200+ lbs of lateral force. So it won't break if you tug on it.



LOW-PROFILE DESIGN

# Versatility for any location.

Aquor's commercial-grade washdown outlets can be installed nearly anywhere on a building.

Perfect for spas, bathrooms, or any area that needs frequent washing or filling.

Add simple convenience without distractions or safety hazards. Surgical-grade 316L stainless steel does not contain lead and will not leach dangerous chemicals.



RAAD STUDIO, NYC





MARINE HERITAGE

# 15+ Years of Marine-Proven Reliability.

Originally designed for yachts and marine vessels, Aquor's valve design is backed with years of tried-and-true engineering and testing in harsh marine environments.





WASHDOWN





Create true  
indoor-outdoor  
living spaces.



**THIS OLD HOUSE™** Idea House 2018  
Builder: Sweenor Builders  
Architect: Union Studio  
Location: Narragansett, Rhode Island  
Installed: House Hydrant V2 in Brushed Stainless



Commercial-grade  
quality and durability.

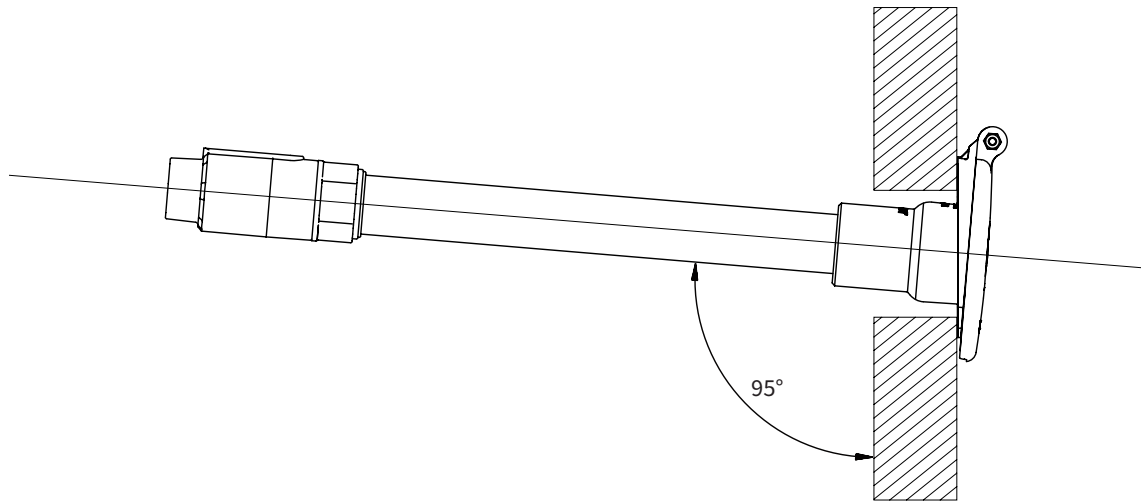




Match your home's style. Stainless steel debris covers are available in natural brushed and matte black finishes.

Standard hydrant kit includes polymer debris cover in Slate Gray. Hydrant covers can be easily swapped from the building exterior, no need to uninstall hydrant or turn off water supply.



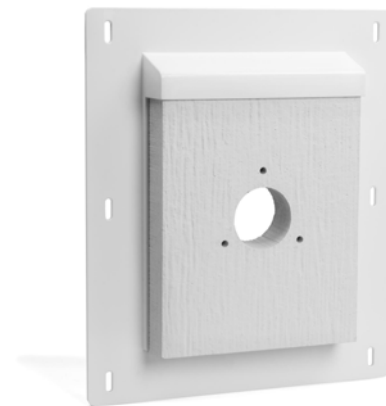


The cover has an integrated 5° angle to provide downward grade, allowing the hydrant to drain.

The hydrant winterizes by self-draining after disconnection. An EPDM gasket seals against the wall surface. For some siding types, using a mounting block is recommended.







For stepped or textured siding, a mounting block is recommended.

Cut the labor of site-made blocks and flashing. Our mounting block has a built-in flange, head flashing, and pre-piloted holes for quick and effective weatherproofing.





Need backflow protection?  
Our **Vacuum Breaker Connector** has you covered.

CSA and ASSE approved backflow protection for all plumbing codes in US and Canada.  
More connector options available. Aquor hydrants and connectors are cross-compatible.







Our smallest and lowest-profile outlet, the versatile **Universal Outlet** can be mounted in any orientation. Ideal for a wide variety of applications. Use it for indoor applications or on decks, boats, RV's, and more.

No internal vacuum breaker, so it can be configured as an inlet or outlet.  
Provides freeze protection if allowed to drain.  
Durable swivel cover for increased impact resistance.











Easy to use, easy to carry, and made to last – it's simply the finest garden hose you'll ever use.

High-tech polyurethane is about 75% lighter than traditional rubber, yet is more durable and kink-free. Available in 25 and 50 ft lengths.  
Metallic space gray finish.







**aquor**

Aquor Water Systems, formerly a division of New Found Metals, has been producing hand-cast, high-quality marine hardware and accessories since 1975. Over the last decade, thousands of our stainless steel valves and hydrants have been installed annually and are currently in trouble-free operation around the world. Learn more at [www.aquorwatersystems.com](http://www.aquorwatersystems.com).

